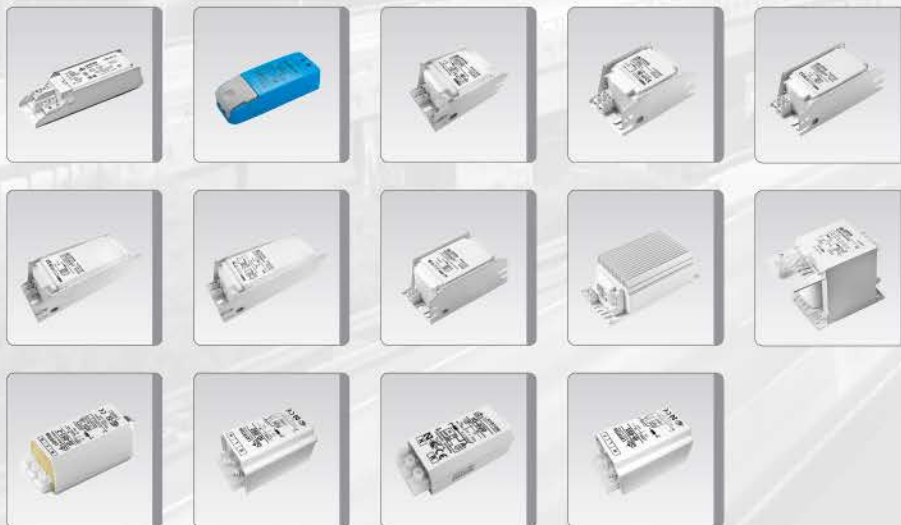


## 14 Ballasts & Ignitors

### بالاست‌ها و استارترها



**TRI-50-C**



Production Code	TRI-50-C
Voltage	230V
Watt	50W
Frequency	50-60Hz
Current	0.27A
Weight	810gr

**Drive70**



Production Code	Drive70
Primary Voltage Range	220-240V
Watt(W)	0~30W LED, 0-70W Halogen
Frequency	50-60Hz
Primary Current	0.29A
Power Factor	0.99
Secondary Current	5A
Weight	10gr
LxWXH(mm)	113x44x28
Applications	0-30W Low Voltage(LED Lamps) 0-70W Low Voltage (Halogen Lamps)

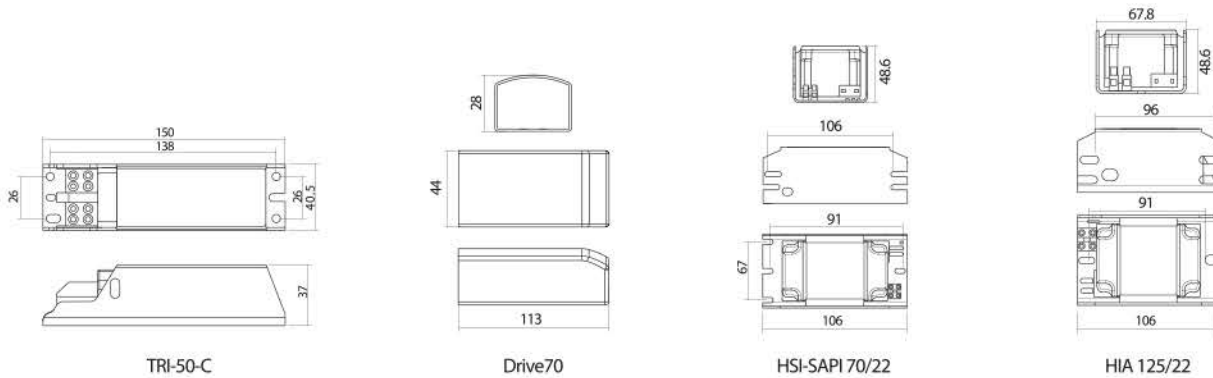
**HSI-SAPI 70/22**



**HIA 125/22**



Production Code	HSI-SAPI 70/22	HIA 125/22
Voltage	220V	220V
Watt	70W	125W
Frequency	50Hz	50Hz
Current	1A	1.15A
Weight	1140gr	1250gr
A	106mm	106mm
B	91mm	91mm
C	96mm	96mm



**HSI-SAPI 150/22/SR**



**HSI-SAPI 250/22/SR**



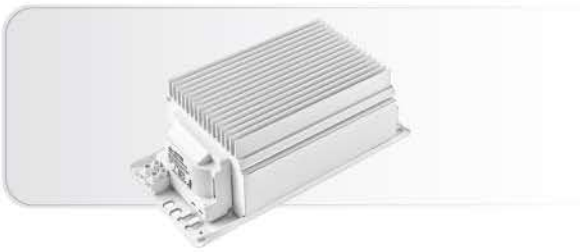
**HIA-HSI 400/22/SR**



**HSI-SAPI 400/22**



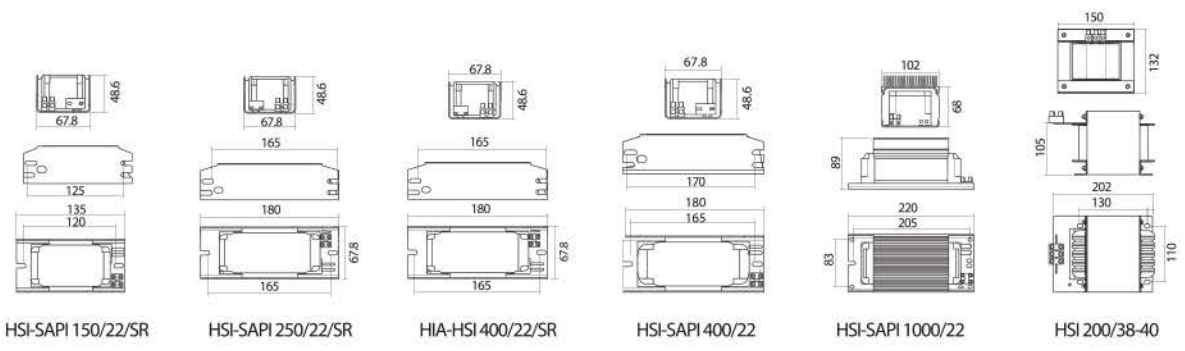
**HSI-SAPI 1000/22**



**HSI 200/38-40**



Production Code	HSI-SAPI 150/22/SR	HSI-SAPI 250/22/SR	HIA-HSI 400/22/SR	HSI-SAPI 400/22	HSI-SAPI 1000/22	HSI 200/38-40
Voltage	220V	220V	220V	220V	230V	380V
Watt	150W	250W	400W	400W	1000W	2000W
Frequency	50Hz	50Hz	50Hz	50Hz	50Hz	50Hz
Current	1.8A	3A	3.25A	4.45A	8.25A	10.3A
Weight	1820gr	2870gr	2870gr	4000gr	7950gr	14700gr
A	135mm	180mm	180mm	164mm	220mm	202mm
B	120mm	165mm	165mm	148mm	205mm	130mm
C	125mm	170mm	170mm	154mm	-	150mm
D	-	-	-	-	-	132mm



IG-051-2



IG-052



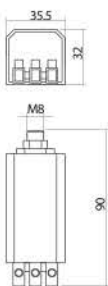
IG-020



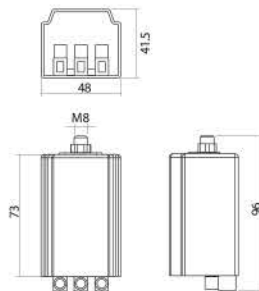
IG-053



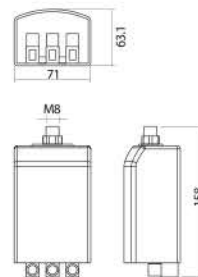
Production Code	IG-051-2	IG-052	IG-020	IG-053
Voltage	220-240V	220-240V	220-240V	380V
Applications	HPS: 70-100-150-250-400W MH: 35-70-100-150-250-400W	HPS: 400-1000W MH: 1000W	MH: 2000W	MH: 2000W(8.8A-10.3A)
Max. Lamp Current	4.6A	12A	18A	12A
Weight	150gr	320gr	320gr	320gr



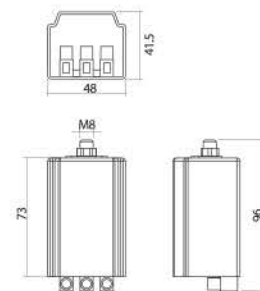
IG-051-2



IG-052



IG-020



IG-053